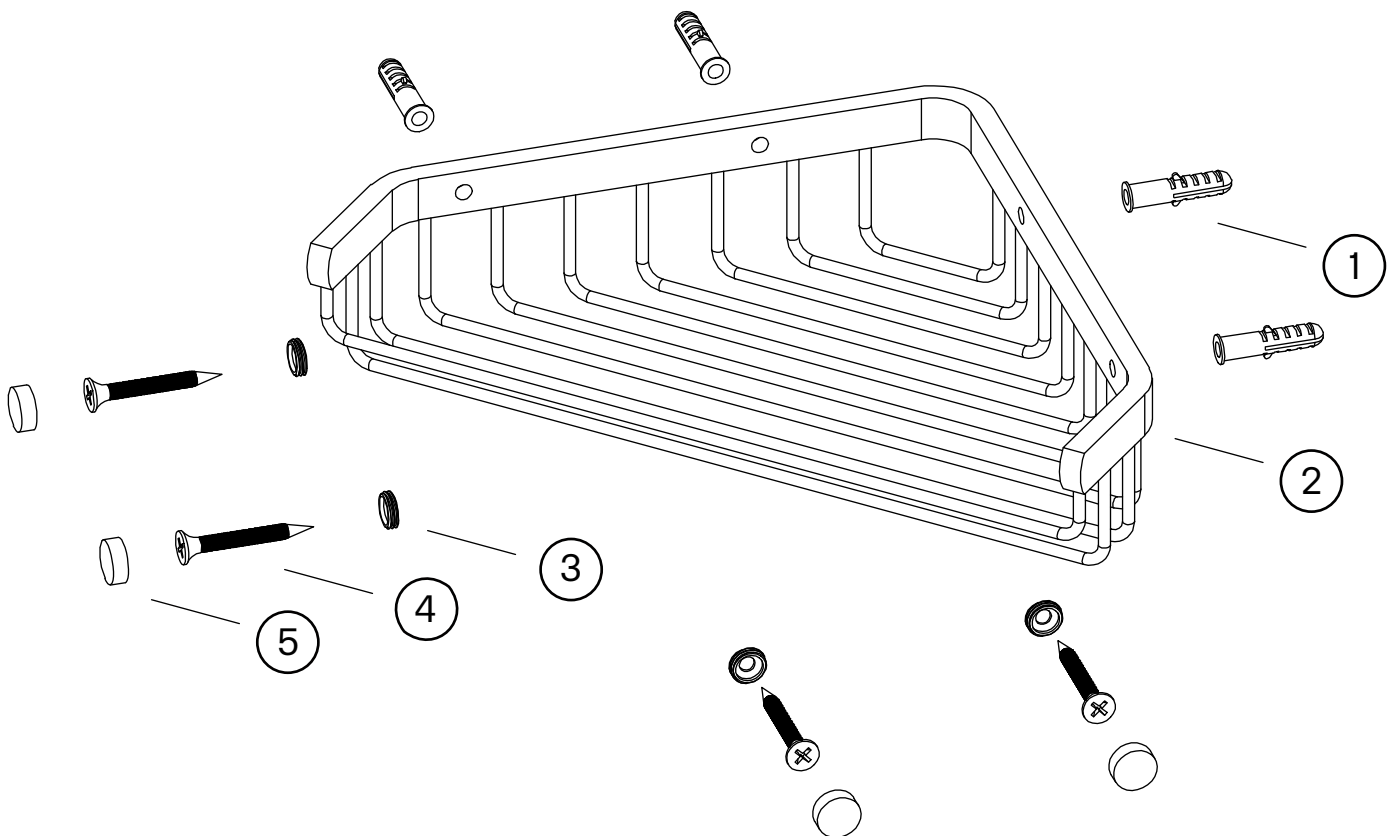


Explosion Drawing



1. Screw Plug $\text{Ø}6 \times 30 \text{ mm}$
2. Soap dish $220 \times 145 \times 43 \text{ mm}$
3. Screw attachment $\text{M}10 \times 1 \times 2,5 \text{ mm}$
4. Screw $\text{M}4 \times 35 \text{ mm}$
5. Screw cover $\text{Ø}11,5 \times 5 \text{ mm}$